

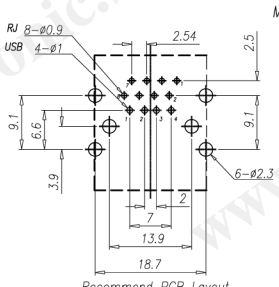
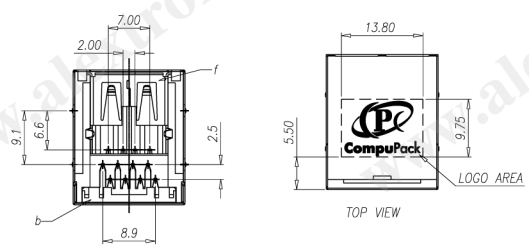
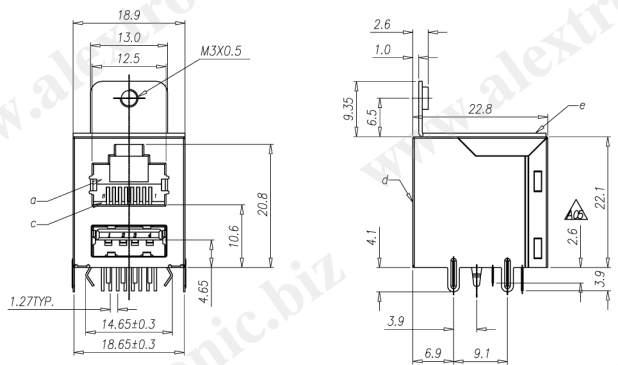
CATEGORY	DESCRIPTION	P/N #
CONNECTOR	RJ45 Over USB, R/A, W/USB, W/Top Screw Tab, W/CPC	MU460R-211X1-0011

▲原料號2MU21R-02C30-03, 2MU21R-02C31-03  
 合併變更為MU460R-211X1-0011

REV.	ECN NO.	DESCRIPTION	REVISED	DATE
A04	ECN091023006	變更螺絲片的材質, 增加電鍍規格	Luguan	2009.10.23
A05	ECN091116001	1.USB插頭與線卡由2.4變為2.6 2.USB材料由2UB142-FBD60-00和2UB142-FBD40-00變為2UB142-FBD60-0032和2UB142-FBD40-0032	GMC	2009.11.16

SPECIFICATIONS:

- 1.RJ ELECTRICAL CHARACTERISTICS  
 1-1:VOLTAGE:150V AC RMS  
 1-2:CURRENT RATING:1.5A  
 1-3:CONTACT RESISTANCE:30mΩ MAX.  
 1-4:INSULATION RESISTANCE:500MΩ MIN.  
 1-5:DIELECTRIC WITHSTANG VOLTAGE :1000V AC  
 1-6:OPERATURE TEMPERATURE:-40°C~80°C  
 1-7:DURABILITY:500 MATING CYCLES MIN.
- 2.USB ELECTRICAL CHARACTERISTICS  
 2-1:VOLTAGE:3.0V AC RMS  
 2-2:CURRENT RATING:1.5A  
 2-3:CONTACT RESISTANCE:30mΩ MAX.  
 2-4:DIELECTRIC WITHSTANG VOLTAGE:500V AC  
 2-5:INSULATION RESISTANCE:1000MΩ MIN.  
 2-6:OPERATURE TEMPERATURE:-55°C~85°C  
 2-7:DURABILITY:1500 MATING CYCLES



MU460R-211X1-0011

Material & Plating

Table 1	X	RJ Terminal Plating	USB Terminal Plating
2	1	半金鍍 3u"	半金鍍 3u"
3	1	半金鍍 15u"	半金鍍 15u"

f	USB	1	Terminal: Brass, T=0.25mm, Plating: See Table 1 Housing: PBT+30%G.F, UL94V-0, Color: Black Shell: Brass, T=0.3mm, Plating: Ni 50u" MIN.		
e	TOP SCREW TAB	1	SPCC, T=0.60mm ▲	Ni Plating ▲	
e	SHIELDING	1	Triplate T=0.25mm		
c	RJ INSERT	1	Terminal: Phosphor Bronze, T=0.3mm, Plating: See Table 1 Housing: PBT+30%G.F, UL94V-0, Color: Black		
b	COVER	1	PBT+30%G.F, UL94V-0	Black	
a	HOUSING	1	PBT+30%G.F, UL94V-0	Black	
No.	PART NAME	Q'TY	MATERIAL	PLATING & COLOR	Remark

UNLESS OTHERWISE SPECIFIED TOLERANCES

DECIMALS:  
 X :±0.5  
 XX :±0.3  
 X.XX :±0.2

ANGLES:  
 X :±2°  
 X.X :±1°

**Product Drawing**  
**ALEXTRONIC**

SCALE: 1/1 UNIT: mm DWG. NO: WI-061-225

SIZE: A3 PAGE: 1 OF 1 REV: A05

APPROVED BY: WYX CHECKED BY: Penjie PREPARED BY: GMC

**CUSTOMER COPY**